



AVK BALL VALVE, ONE PIECE, 1000 PSI RATING

235



One piece reduced bore ball valve in 316 Stainless Steel construction
BSP connection
Teflon seats and lockable lever operator



Applications:

- Water, oil, gas and air

Actuation:

- Lockable lever

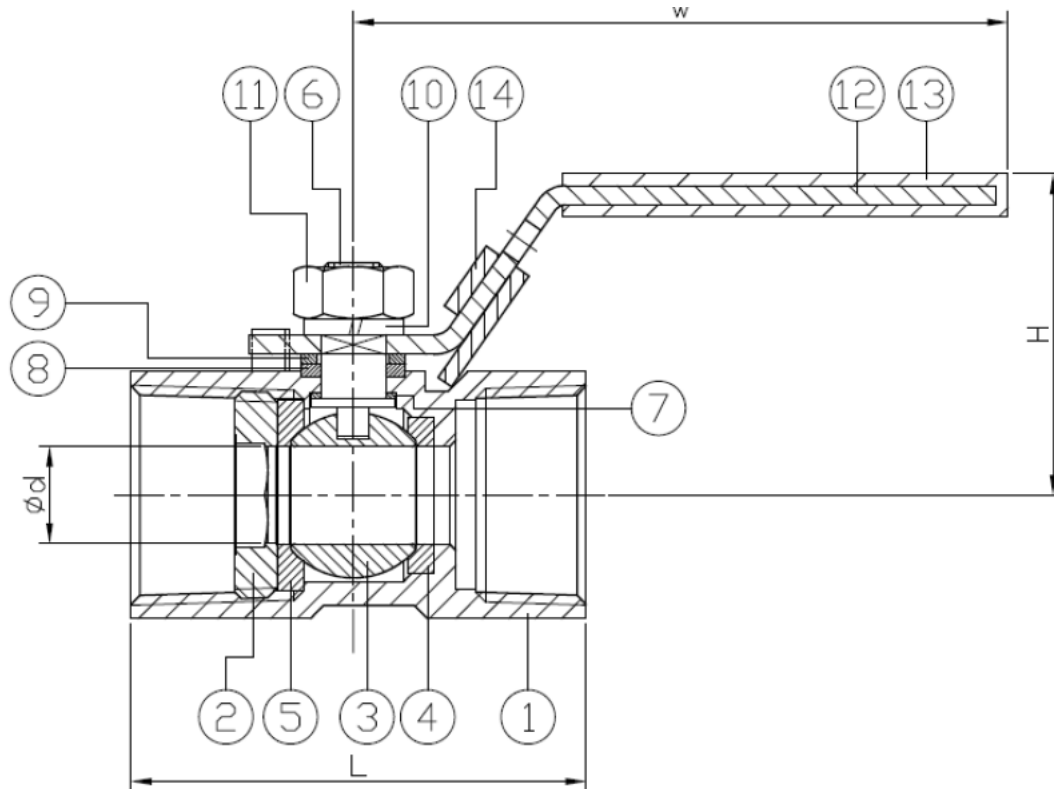
Temperature range fluids:

- -20°C to 200°C

Bore:

- Reduced





Component list

1. Body	ASTM A351-CF8M
2. Retainer	ASTM A351-CF8M
3. Ball	ASTM A351-CF8M
4. Seat A	PTFE
5. Seat B	PTFE
6. Stem	Stainless Steel 304
7. Thrust washer	PTFE
8. Packing	PTFE
9. Gland ring	Stainless Steel 304
10. Spring washer	Stainless Steel 304
11. Stem nut	Stainless Steel 304
12. Handle	Stainless Steel 304
13. Handle sleeve	Plastic
14. Locking device	Stainless Steel 304

Components can be substituted with equivalent or higher class materials.

Reference nos. and dimensions

AVK ref. nos.	DN	L mm	H mm	D mm	W mm	Weight kilos
I235008110100110000	8	39	33	5	71	0.1
I235010110100110000	10	44	35	7	93	0.1
I235015110100110000	15	55	40	9.2	95	0.2
I235020110100110000	20	59	44	12.5	95	0.3
I235025110100110000	25	69	51	15	113	0.4
I235032110100110000	32	77	57	00	113	0.7
I235040110100110000	40	81	64	25	141	0.9
I235050110100110000	50	97	68	32	141	1.4