

MU PENSTOCK STANDARD RANGE

200 x 200 - 1200 x 1200



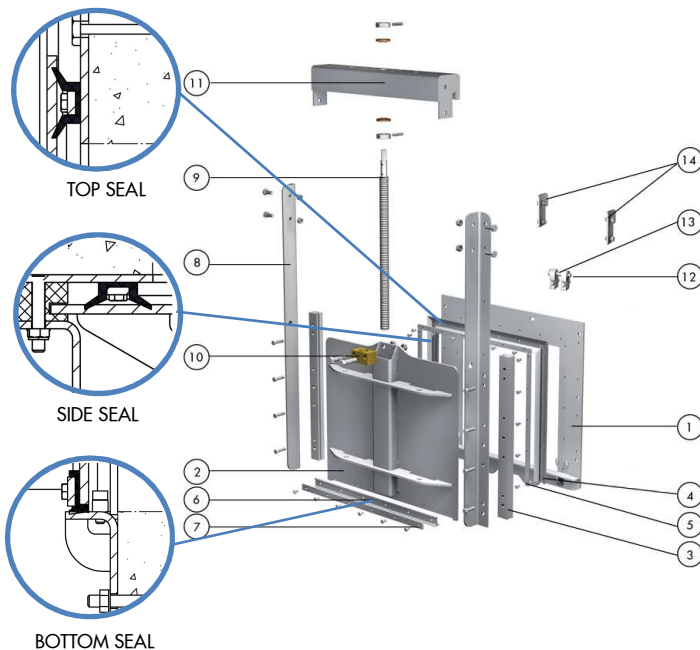
The MU model penstock is a four-side sealing wall-mounted penstock suitable for different type of applications in the water and waste water treatment plants, pumping stations, storm tanks, desalination plants, irrigation, dams and reservoirs, etc.

Product description:

- Bi-directional as standard
- Size range of 200x200 up to 1200x1200
- Seating and unseating head pressure of 10 mwc up to 1000x1000 and of 6 mwc for remaining sizes up to 1200x1200
- Stainless steel fabricated construction. Different stainless steel grades available
- Rising & non-rising stem configurations available
- Manual (handwheel and bevel gear), pneumatic (single and double-acting), electric and hydraulic actuation options available
- Designed according to DIN 19569. Design as per AWWA C561 or BS 7775 also available

Features:

- Open frame (rising stem) and self-contained (non rising stem) configurations. Modular design with common basic structure and kits for rising and non rising stem configurations
- Self-cleaning HMWPE gate guides for low friction during operation, minimizing thrust and maximizing seal life
- Self-adjusting double-lip EPDM seal design, wedges are not required thus resulting in a lower torque requirement
- Yoke or pedestal mounted actuators. Inclined, straight and straight-on-bracket pedestals available
- Stem extensions for high operating floor levels, including the required stem guides
- Mounting options: standard wall mount, also thimble mount
- Flush bottom design which can be made both elevated and flush bottom installation
- Leakage rate as per DIN 19569-4 Class 5 (1,2 l/min per meter)



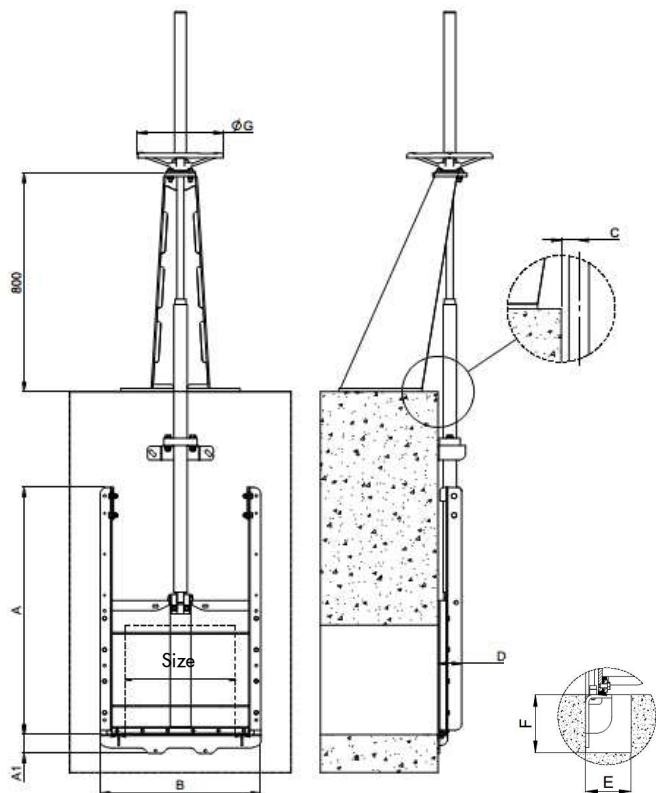
STANDARD MATERIAL OF CONSTRUCTION

ITEM	DESCRIPTION	MATERIAL (standard)
1	Frame	AISI 304L / AISI 316L
2	Slide	AISI 304L / AISI 316L
3	Guides	Polyethylene (HMWPE)
4	Seal	EPDM
5	Seal Retainer	AISI 304L / AISI 316L
6	Bottom Seal	EPDM
7	Bottom Seal Retainer	AISI 304L / AISI 316L
8	Frame Guide	AISI 304L / AISI 316L
9	NRS Kit - Stem	AISI 303 (1.4305)
10	NRS Kit - Stem Nut	Bronze
11	NRS Kit - Yoke	AISI 304L / AISI 316L
12	RS Kit - Pin	AISI 304L / AISI 316L
13	RS Kit - Gate coupling bracket	AISI 304L / AISI 316L
14	RS Kit - End stop	AISI 304L / AISI 316L

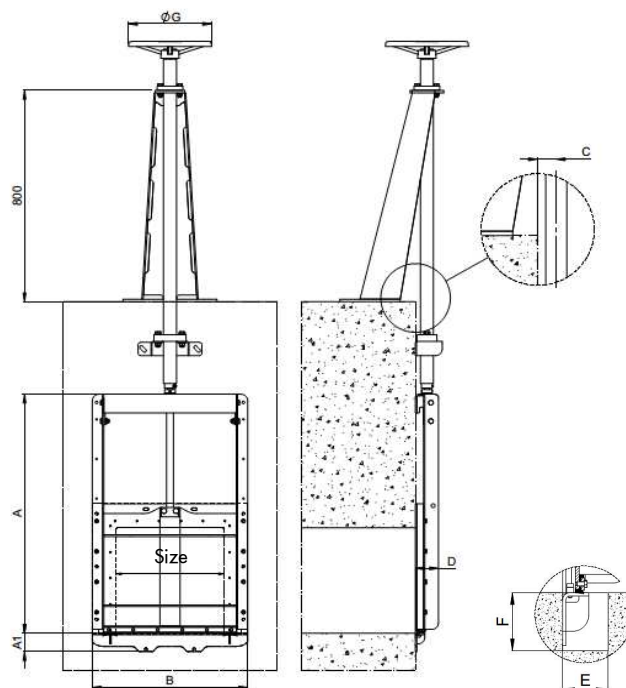
MU PENSTOCK STANDARD RANGE

200 x 200 - 1200 x 1200

RISING STEM



NON RISING STEM



SIZE (mm) Opening	A	B	A1	C	D	ØG	E x F
200 x 200	504	380	70	40,5	81	225	70 x 75
300 x 300	704	480	70	40,5	81	225	70 x 75
400 x 400	905	580	70	43	86	310	70 x 75
500 x 500	1105	680	70	43	86	310	70 x 75
600 x 600	1307	780	70	43	115,5	310	70 x 75
700 x 700	1510	880	70	43	115,5	310	70 x 75
800 x 800	1710	980	70	43	125,5	350	70 x 75
900 x 900	1985	1100	82	56	135,5	350	70 x 85
1000 x 1000	2185	1200	82	56	135,5	350	70 x 85
1100 x 1100	2385	1300	82	56	135,5	350	70 x 85
1200 x 1200	2585	1400	82	56	135,5	350	70 x 85

NOTE:

These dimensions are only for reference. Do not use for installation or submittal purposes.
For dimensions other than above, please contact an ORBINOX representative